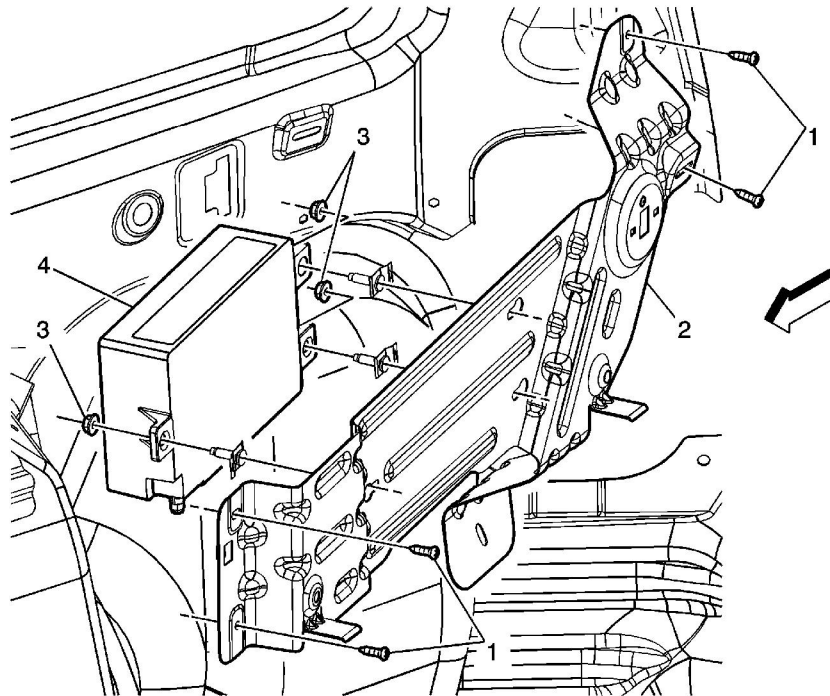


Communication Interface Module Replacement



| Callout | Component Name |
|----------------------------------------------------------------------------------------------------------------------------------------------------------------------------------------------------------------------------------------------------------------------------------------------------------------------------------------------------------------------------------------------------------------------------------------------------------------------------------------------------------|-----------------------------------------------------------------------------------------|
| <p>Notice: Refer to Fastener Notice in the Preface section.</p> <p><i>Fastener Tightening Specifications:</i> Refer to Fastener Tightening Specifications .</p> <p>Preliminary Procedures</p> <ol style="list-style-type: none"> 1. Remove the rear seat. Refer to Rear Seat Replacement . 2. Remove the right rear quarter lower trim panel. Refer to Quarter Lower Rear Trim Panel Replacement . | |
| 1 | Screw, Quarter Inner Trim Panel Bracket (Qty: 4) Tighten 10 N·m (89 lb in) |
| 2 | Bracket, Quarter Inner Trim Panel |
| 3 | Nut, Communication Interface Module (Qty: 3) Tighten 10 N·m (89 lb in) |
| | Module, Communication Interface |

Tip

4

1. Disconnect the electrical connector.
2. Reprogram the communication Interface module after installation. Refer to [Control Module References](#) .